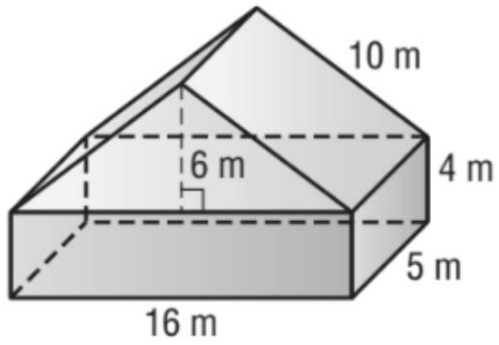
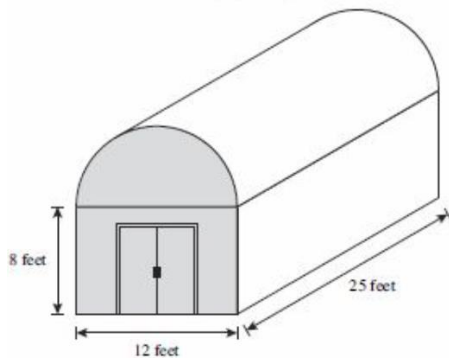


Surface Area of Composite 3-D Shapes – Practice Assignment #2

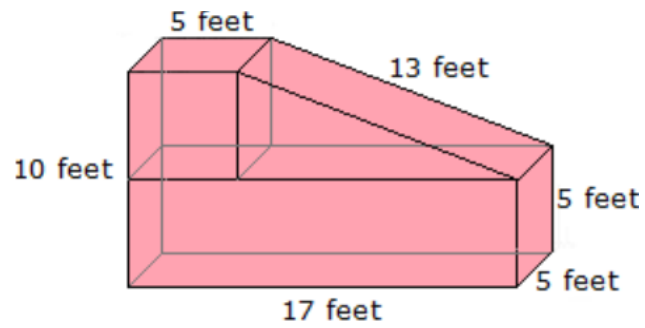
1.



2.



3.



4.



Shynna designed her perfect wedding cake. She wants to have 3 layers with smooth white frosting on the cake. The first layer will have a 24-inch diameter, the second layer will have an 18-inch diameter and the top layer will have a 10-inch diameter. Each layer will be 6-inches tall. How many square inches of frosting will show on the surface of the cake?