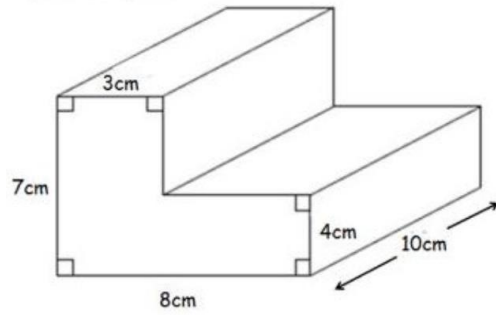


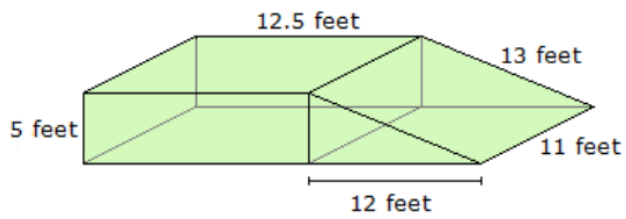
**Surface Area of Composite 3-D Shapes – Practice Assignment #1**

Calculate the surface area of each 3-D shape. Show all thinking.

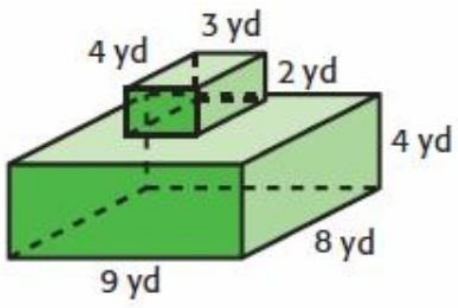
1.



2.



3.



4.

